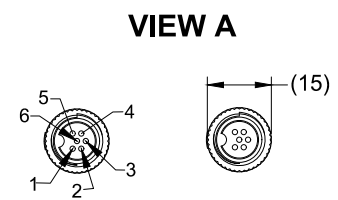
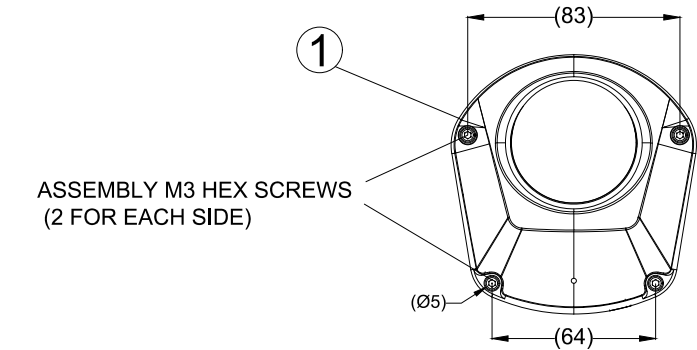
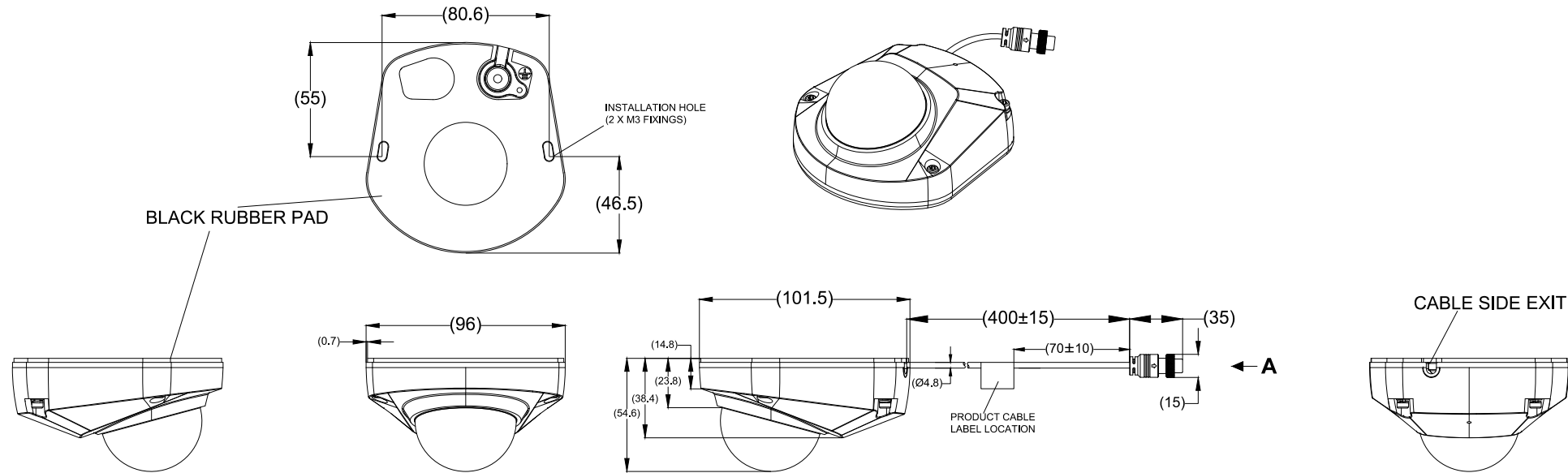


Revision Notes.				
R1 -				
APA: -	Drawn:-	Checked:-	Approved:-	Date: -



6 PIN FEMALE MATING FACE

PIN #	WIRE COLOUR	DESCRIPTION
1	ORANGE	TX-
2	ORANGE-WHITE	TX+
3	RED	+12V
4	GREEN	RX-
5	GREEN-WHITE	RX+
6	BLACK	GND

PART NO	MODEL NO	CAMERA ONLY PART NO	DESCRIPTION
5937	IP-1200C	5962	IP CAMERA - SURFACE-MOUNT, IP67 (1080P)

ITEM	PART NUMBER	MODEL NO	QTY	DESCRIPTION
①	5962	IP-1200C-C	1	IP CAMERA ONLY - INTERIOR USE, AUDIO (1080P)
②	5972	IP-1200C-FIX	1	2 X M3 FIXING SCREWS AND 1 X T10 TORX TOOL (L SHAPE) (NOT SHOWN)
③	5973	IP-1200C-IG	1	INSTALLATION GUIDE (NOT SHOWN)

- NOTES:**
1. MATERIAL: CAST ALUMINIUM
 2. REFER TO PRODUCT SPECIFICATION FOR PRODUCT SPECIFICATIONS.
 3. REFER TO COMPONENT DRAWINGS FOR COMPONENT DETAILS.
 4. REFER TO INSTALLATION GUIDE "IP-1200C-IG" FOR CORRECT SETUP, CONFIGURATION AND INSTALLATION.
 5. PURCHASE ORDER TO DEFINE PACKAGING VARIANT.
 6. FIRMWARE VERSION Nx_928C25_V003_T180411.01_M0000 TO BE PRELOADED TO THE CAMERA DURING MANUFACTURE.

PROPRIETARY NOTICE
 THIS DESIGN AND TECHNICAL INFORMATION APPEARING ON THIS DRAWING IS THE PROPERTY OF BRIGADE ELECTRONICS, AND IS DISCLOSED IN CONFIDENCE. IT IS NOT TO BE COPIED, REPRODUCED, REVEALED TO OR EXPROPRIATED BY OTHERS, EITHER IN WHOLE OR IN PART WITHOUT THE EXPRESS WRITTEN CONSENT OF BRIGADE ELECTRONICS.



Assembly Pl Approval CAROL LI	Approved by L. PILLAY	Checked by J. TYRRELL	Drawn by S.ZHANG
Angle of Projection Third Angle	Units mm	Scale N/A	Released 19/12/19
Status RELEASED	Part No 5937	IP-1200C BE-004241-00-19	